

WEEKENDER™

56 62 72



BREEZEWAY™

56 62 72



WALKABOUT™

56 62 72 87

ROOFTOPTENT INSTALLATION INSTRUCTIONS

CONTENTS

| | |
|---|----|
| Warning | 3 |
| Roof top tent hardware identification chart | 4 |
| Tent orientation on your vehicle..... | 6 |
| Attaching mounting channels | 7 |
| Attaching the ladder | 9 |
| Fitting the roof top tent to your roof rack..... | 10 |
| Closing and storage..... | 11 |
| Warranty..... | 11 |

Thank you for purchasing a 23 ZERO Roof Top Tent

Congratulations on your purchase of a 23 ZERO Roof Top Tent. We strive to provide the ultimate camping experience. Your Roof Top Tent mounts directly to your roof rack or aftermarket roof bars. The tent opens and is fully setup in just a few minutes. Your Roof Top Tent is made with durable materials and high quality rip-stop fabrics that provide excellent water and wind protection.

Most of your Roof Top Tent components have been fully assembled at the factory with the exception of attaching the mounting channels and the ladder to the base of the tent. Tent setup is composed of unpacking, attaching mounting channels to the base of the tent, attaching the ladder, attaching the tent cover, and then mounting your tent onto the roof rack or aftermarket roof bars.

During set up and first use, you may find some Aluminum swarf inside your Roof Top tent. We make every possible attempt to expel and vacuum all Aluminum swarf, however, with vibrations caused by logistics, some may reappear.

PLEASE READ ALL INSTRUCTIONS PRIOR TO INSTALLING

Please thoroughly read the instructions and warnings set forth in this manual.

WARNING

Improper installation or use of your Roof Top Tent may result in serious injury or death. You will need to follow these installation instructions carefully to ensure proper installation on your vehicle and safe use of your Roof Top Tent. Please contact your vehicle manufacturer for specified loading capacity of your roof rack. Not all factory roof racks or aftermarket roof bars can safely accommodate all tent models.

Any elements applied on the vehicle roof changes the normal vehicle handling. The manufacturer disclaims all responsibility in case of accidents due to improper use, improper maintenance, or checking the tightness of the brackets regarding the installation of the roof rack system.

Inspections: During trips regularly check that all nuts and bolts in your Roof Top Tent to your vehicle are tight and in good repair. This includes hinges, ladder and mounting track.

For your safety and protection, ensure correct placement and angle of ladder. **DO NOT CLIMB ON LADDER UNTIL CORRECT ANGLE IS ACHIEVED** (approx. 60 degrees Between ladder and ground). NOTE: If the angle of the ladder is at 90 degrees and/ or does not reach the ground, you will need a ladder extension or longer extendable ladder (sold separately).

23 ZERO Outdoor Gear - The wholesaler / manufacturer shall not be liable for special, indirect incidental or consequential damages.



SAFETY WARNING



KEEP ALL FLAME AND HEAT SOURCES AWAY FROM THE TENT MATERIALS. UNDER NO CIRCUMSTANCE SHOULD ANY NAKED FLAME SOURCES OR HEATING DEVICES BE USED INSIDE OR NEAR THE TENT.

KEEP CAMP FIRES WELL AWAY FROM TENT.

KEEP A LOOK OUT FOR ANY AIRBORNE BURNING EMBERS THAT MAY COME INTO CONTACT WITH THE TENT.

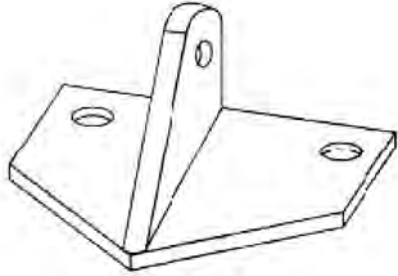
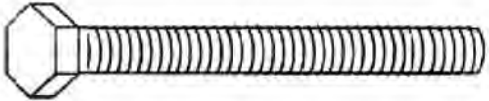
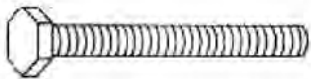
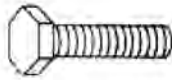
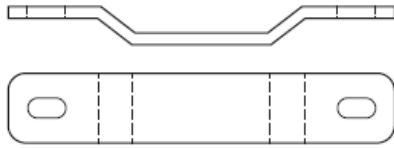
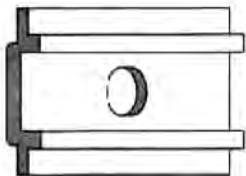

KEEP A FIRE EXTINGUISHER OR WATER BUCKET NEARBY.

DO NOT SMOKE WITHIN THE TENT.






DO NOT OPERATE ANY DEVICE WHICH BURNS FUEL INSIDE OF THE TENT.

KEEP EXIT CLEAR.

ROOF TOP TENT HARDWARE IDENTIFICATION CHART

| Quantity | Model# | |
|--|--------|---|
| Ladder Mounting Bracket | | |
| WEEKENDER - all sizes BREEZEWAY - all sizes WALKABOUT - 56/62/72 | 2pcs |  |
| WALKABOUT - 87 | 4pcs | |
| 55 mm Steel M8 Bolt | | |
| 8 | |  |
| 40 mm Steel M6 Bolt | | |
| 8 | |  |
| 16 mm Steel Bolt To Mount Ladder M6 | | |
| 2 | |  |
| Stainless Steel Mount Plate | | |
| All models | 4 pcs |  |
| Aluminium Slide Plate | | |
| All models | 8 pcs |  |
| Rubber Washer To Mount Ladder | | |
| WEEKENDER - all sizes BREEZEWAY - all sizes WALKABOUT - 56/62/72 | 2pcs |  |
| WALKABOUT - 87 | 4pcs | |

ROOF TOP TENT HARDWARE IDENTIFICATION CHART

| Quantity | Model# |
|---|--|
| M6 Nylock Nut | |
| WEEKENDER - all sizes BREEZEWAY - all sizes WALKABOUT - all sizes | 12pcs  |
| M8 Nylock Nut | |
| All models 8 pcs |  |
| Stainless Steel Washer | |
| All models 6 pcs 50mm |  |
| All models 6 pcs 18mm | |
| All models 6 pc 24mm | |
| Metric Wrench 10 / 13 mm | |
| 2 |  |
| Mounting Channel | |
| 2 |  |



TENT ORIENTATION ON YOUR VEHICLE

There are two mounting options for the orientation of Roof Top Tents.

Rear Mounted – The ladder extends from the back of the vehicle.

Side Mounted – The ladder extends from the side of the vehicle.

These orientations depend on the size of the roof top tent. The Weekender/Breezeway/Walkabout 56 can be mounted in either orientation. 23 ZERO recommends Weekender/Breezeway/Walkabout 62/72/87 to be side mounted.

The configuration of the bars on your roof rack will determine the fitment of the mounting channels on your roof top tent.

Whether adopting a rear mount or side mount orientation, ensure the mounting channels run in the opposite direction to the bars of your roof rack.

If required to fit the mounting channels along the short side of the RTT (48" side) these channels will need to be cut flush with the outer edge of the baseboard.

ATTACHING MOUNTING CHANNELS

1. Remove the Roof Top Tent from the carton and place on a clean surface. Observe the top surface. If it has four holes in the center area of the base, then this is the side which will receive the mounting channels. Otherwise you are looking at the surface which will receive the ladder. Open tent to gain entrance to interior and remove contents.

Contents:

Ladder/s—1 pce, PVC cover—1 pce, Rod for window—6 pces, Mounting channel—2 pces, Mounting accessories—1 bag.

2. After removing the contents, close the Roof Top Tent, so the channel mounting surface is facing upward, then move the cap of holes (side with 4 holes).



3. Using the four supplied **40mm Steel M6 bolt**, slide your hand between the base and mattress, and insert the bolts with washers into the pre-drilled holes.
4. Place mounting channels on exposed bolts. For side mounted orientation, ensure the mounting channels are perpendicular to hinge side. For rear mounted orientation, ensure the mounting channels are parallel to hinge side.
5. Slide the **M6 Nylock Nut** into the inner slot in the center of the mounting channels, until they are aligned with the bolts sticking through the base. Tighten the bolts firmly from below, using the supplied 10mm wrench. If you chose a side mounted orientation, you will notice that the mounting channels extend beyond the edges of the base. You will need to mark each channel where they extend beyond the tent base and cut the mounting channels so they fit within the tent base. Fasten mounting channels to base as described above.

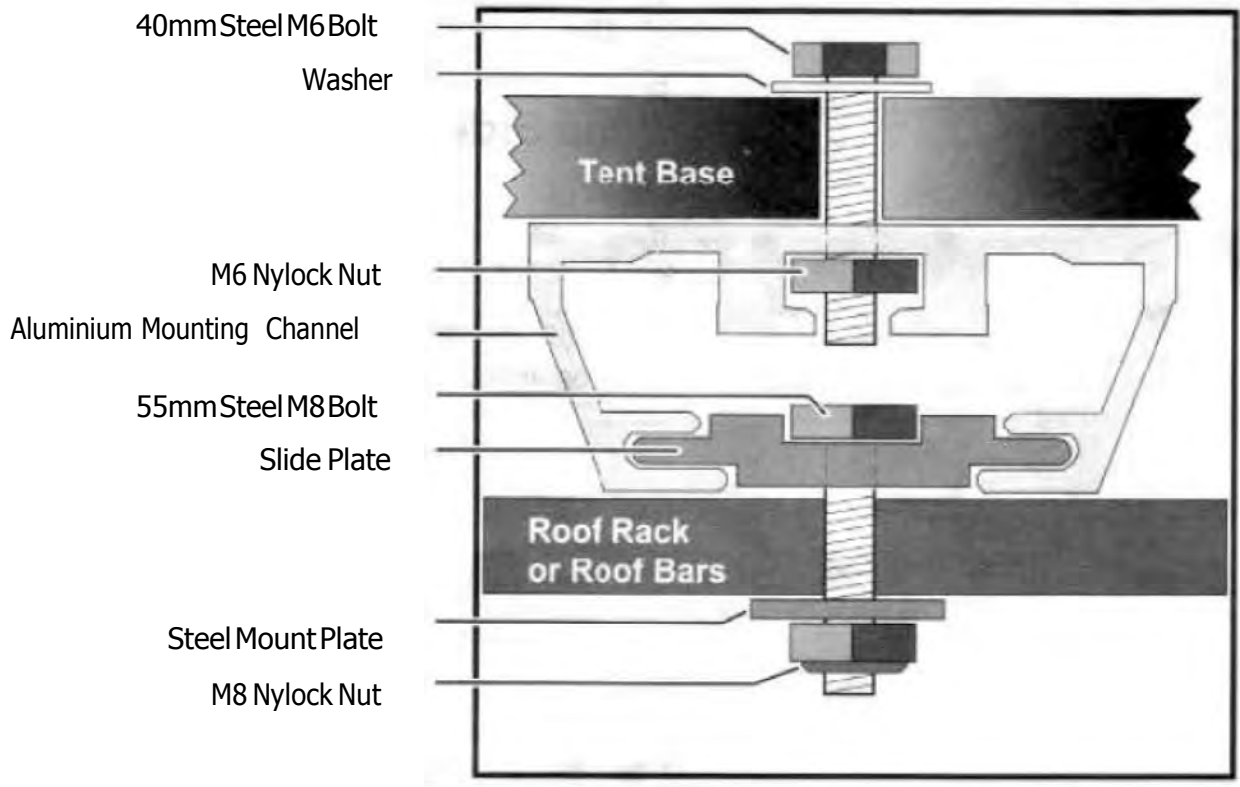


DIAGRAM A

ATTACHING THE LADDER

1. Flip the tent base over.
2. Locate the pre-drilled holes at the edge of the base and attach the ladder bracket to the base using **40mm Steel M6 bolt, washers, and nylock nuts.**

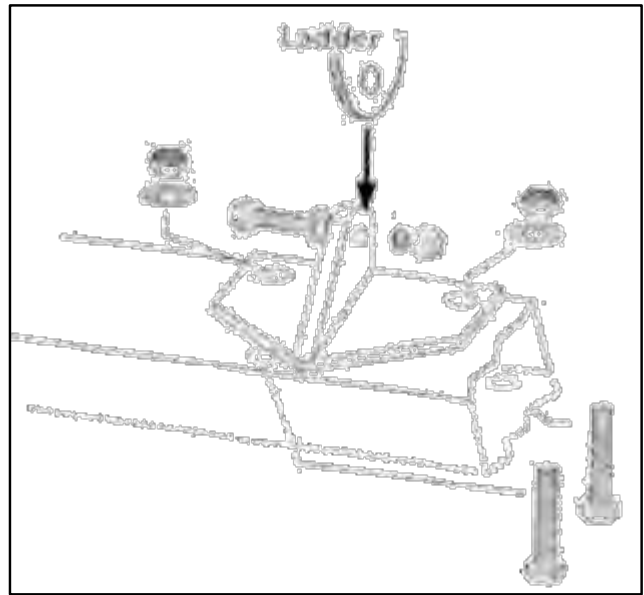


DIAGRAM B

For your safety and protection see Diagram C below for correct placement and angle of ladder. **DO NOT CLIMB ON LADDER UNTIL CORRECT ANGLE IS ACHIEVED** (approx. 60 degrees between ladder and ground). **NOTE:** If the angle of the ladder is at 90 degrees and/or does not reach the ground, you will need a ladder extension (not included). The ladder placed in correct position also acts as a brace for the suspended base of your tent.

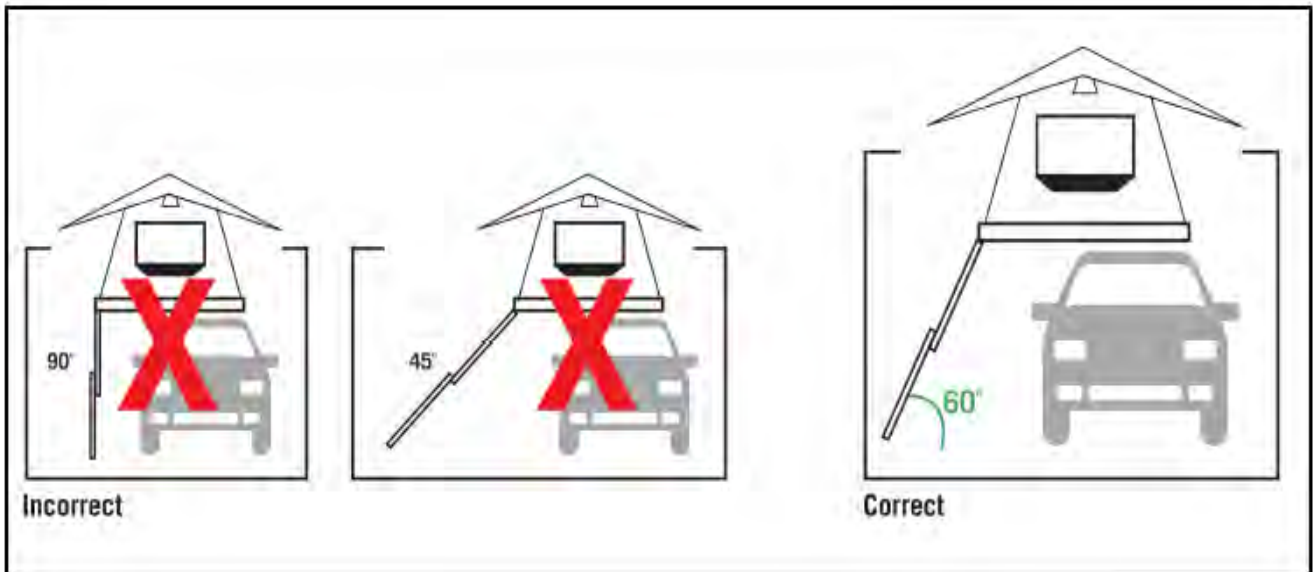


DIAGRAM C

FITTING THE ROOF TOP TENT TO YOUR ROOF RACK

1. Place the Roof Top Tent on top of your vehicle's roof rack system (minimum 2 persons required).
2. Place **55mm Steel M8 bolt** into the slide plates. Slide the plates and bolts into the mounting channel. You will need to lift a Roof Top Tent side, so as to have one of the bolts on the inside of the roof rack bar.
3. Inspect the position of Roof Top Tent to ensure it is centered on the roof rack and positioned to open the desired side.

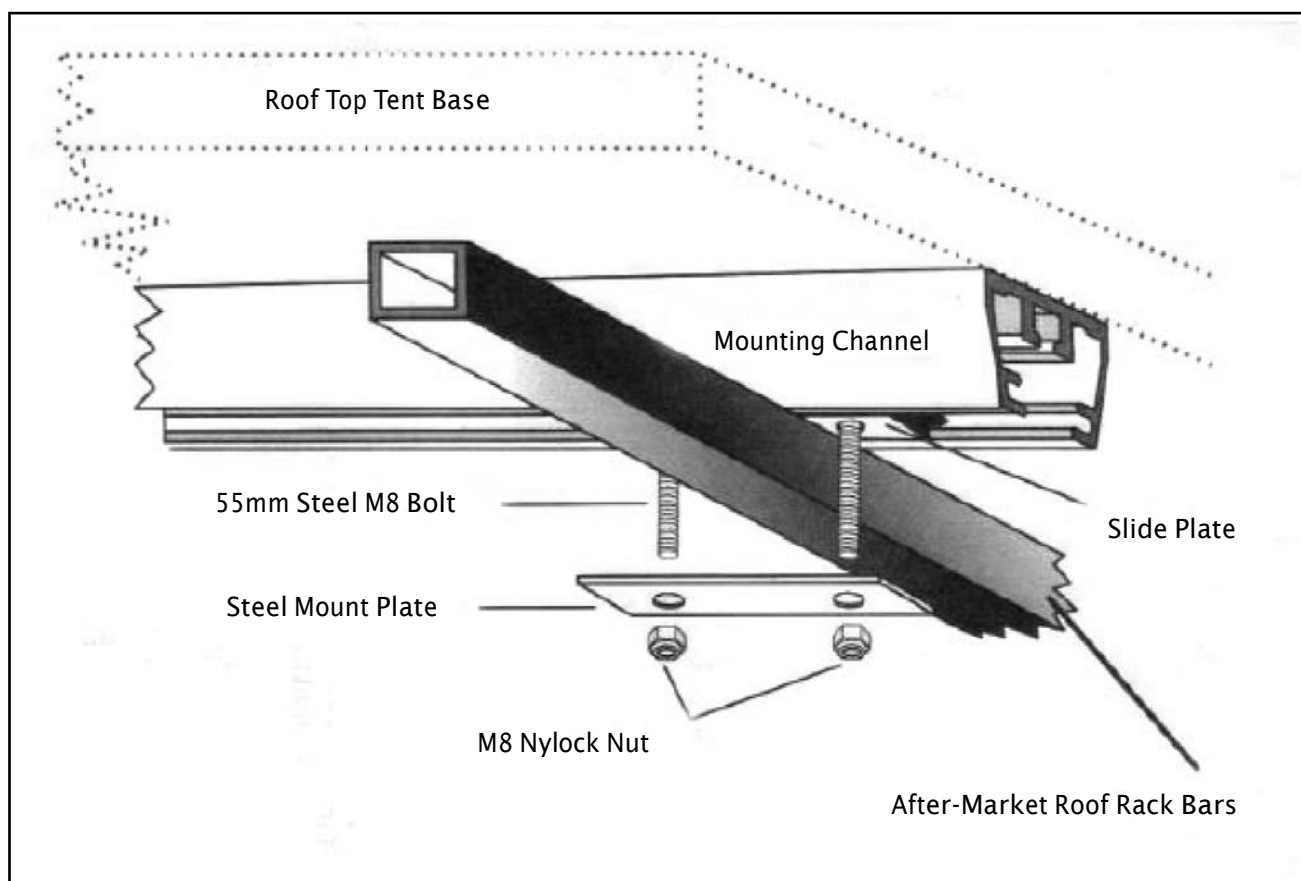


DIAGRAM D

4. Attach the Roof Top Tent to your roof rack at the four points where the rack and mounting channels cross. Tighten all eight bolts securely. It is important that you check all the mounting bolts and brackets periodically to ensure they are securely fastened to your base and roof rack or after-market roof bars.
5. After ensuring the Roof Top Tent is positioned correctly, and all eight bolts are tightened securely, insert the rubber end caps into the ends of the mounting channel (this may require light taps from a hammer).