

23ZERO

Breezeway 2.0



This manual applies to the following 23Zero Rooftop Tents:

- Breezeway 56
- Breezeway 62
- Breezeway 72

Thank you for purchasing a 23Zero Rooftop Tent

Congratulations on your purchase of a 23Zero rooftop tent. We strive to provide you with the ultimate camping experience. Your tent mounts directly to your roof rack or aftermarket roof bars. It opens and is fully set up in just a few minutes. As well as our innovative ECO13B fabric with Light Suppression Technology (LST), your tent is made with durable materials and high-quality fabrics that provide excellent water and wind protection.

Contents

Safety and Warning Information	4
In The Box	5
Assembly	5
Vehicle Fitment & Install	6
Set up / Use / Ladder.....	8
Opening the Tent.....	8
Closing and Storage	9
Additional Ladder Instructions	10
Care & Maintenance	11

Safety and Warning Information

Improper installation or use of a rooftop tent may result in serious injury or death. Follow these installation instructions carefully to ensure proper installation on the vehicle and safe use of the rooftop tent. Please contact your vehicle manufacturer for the specified loading capacity of your roof rack. Not all factory roof racks, or aftermarket roof bars can safely accommodate some tent models.

Alterations and/or inclusions such as roof racks and rooftop tents applied to the vehicle may affect vehicle handling and characteristics. 23Zero absolves itself of any liability for accidents or damage resulting from the installation of a rooftop tent onto an inadequately rated roof rack, misuse, inadequate maintenance, or failure to properly inspect the bracket tightness during the roof rack system installation.

Rooftop tents have many moving parts, making regular maintenance checks essential. During trips, ensure all nuts, bolts, hinges, and locks attaching the rooftop tent to the vehicle are tight and in good condition. Regularly inspect these components to maintain safety and proper tent function, as failure to do so could void the warranty.

Additional Warnings

- Keep all flame and heat sources away from the tent materials
- Never use naked flames or heating devices inside or near the tent
- Maintain a safe distance between campfires and the tent
- Watch for airborne embers that could contact the tent
- Keep a fire extinguisher or water bucket nearby
- Do not smoke inside the tent
- Avoid operating any fuel-burning devices inside the tent
- Ensure the exit always remains clear
- Use hand tools only
- Never lift a tent by yourself
- Do not over pack the tent with bedding or other items that may cause stress on tent parts
- Thoroughly dry the tent before storing to avoid water and mold damage

23Zero is not liable for special, indirect incidental or consequential damages.

For warranty details please go to: <https://23zero.com/returns/>

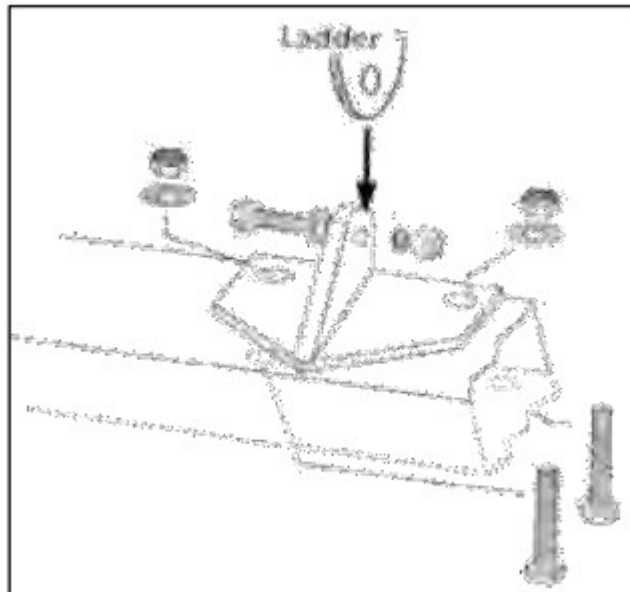
In The Box

This rooftop tent includes a mounting kit with a convenient carry bag. Everything required to mount your rooftop tent to most roof racks is included in this kit.

Assembly

Your tent will require some assembly before it is ready to be fitted to your vehicle. The items you need will be inside the tent. It is best to partially open the tent on the ground and retrieve required items. Locate the transit cover, ladder, and mounting kit.

Before lifting the tent on the vehicle, you will need to install the ladder. Use the included hardware as shown below.



1. Position the tent allowing the two pairs of pre-drilled holes on the outer edge of the baseboard to face upward (Note: There are four pairs of holes on the Walkabout 87 for the two ladders).
2. Using the 40mm M6 bolts and one washer per bolt, insert these through the holes via the inside of the tent. With the bolt threads facing outward, locate the holes on the ladder brackets and place these over the bolt threads.
3. Add the second washer and twist the lock nut hand tight. Repeat for all remaining positions and tighten with the 10mm wrench.
4. Line up the holes on the ladder with the holes on the ladder brackets and insert the two 16mm M6 bolts ensuring the nylon washer is placed between the ladder and the ladder bracket. Tighten with lock nuts and the 10mm wrench.

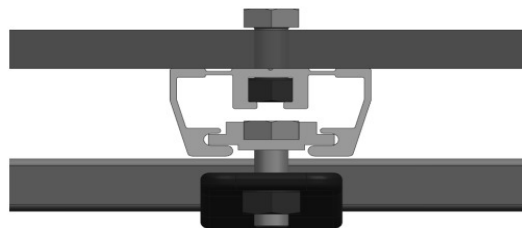
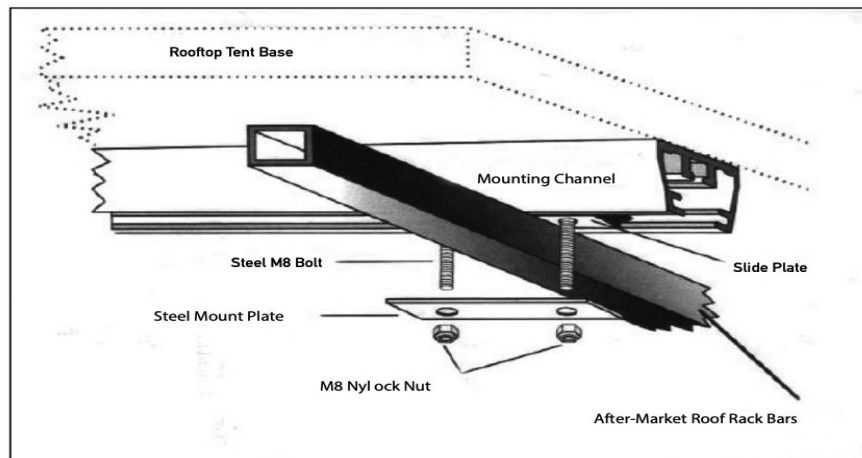
Take note the location of the hinge. You'll need to know to mount the tent later.

Once the ladder is installed, you can install the transit cover by sliding the rope rail (Keder) into the extrusion on the hinge side of the base platform. Flip the transit cover over the tent and zip it closed using the installed zipper track. Finally, you can secure the cover by using the clips on the cover.

At this point, you are ready to install the tent on the vehicle.

Vehicle Fitment & Install

1. Determine which side of your vehicle or trailer you want your tent open on. Driver's side (left) or passenger's side (right). The tent hinge should face the desired direction.
2. Carefully lift your tent into position. *For this step, it is highly recommended that at least two people help lift the tent on top of your vehicle or trailer. It is recommended that there be no more than 11" overhang from the rack support to the end of the tent.*



3. Place the bolts into the slide plates and then place those into the mounting channel. The bolt head should be flush with the channel of the slide plate.
4. Position the bolts in the mounting channel and loosely attach the mounting plates under the crossbars. You may need to lift the tent slightly to pass the bolts and sliders over the crossbar. *Use hand tools only. Do not use power tools to tighten mounting nuts. The hardware may seize up and need to be cut off and replaced. It is recommended that you use anti-seize or lithium grease on the bolts when installing the nuts.*

5. Do not fully tighten the nuts until you have ensured the tent is centered or in its final position. Once the tent is positioned slowly tighten down the mounting plates making sure equal pressure is applied to each side of the mounting plate. Repeat this process for all mounting positions.

Please note: Regularly inspect the mounting nuts and bolts to ensure they are securely tightened and in optimal condition. This precaution is necessary to maintain the safety and proper function of the tent. Failure to properly maintain the tent could void the warranty.

Set up / Use / Ladder

Opening the Tent

1. To deploy the tent, undo the transit cover straps, unzip the transit cover, and carefully lift it around the corners of the tent. Slide it out of the extrusion on the tent base to remove it.
2. Undo the side compression straps holding the tent closed.
3. Remove any straps holding the ladder in place. Fully extend the ladder and use it to pivot the tent on its hinge to open.
4. Using the ladder as a lever, pull down on the ladder to start unfolding the tent. As the tent begins to open and the ladder starts to support the tent's weight, step backward gradually until the baseboard is lying flat. It is very important to always support the weight of the rooftop tent via the ladder until it is fully unfolded. Allowing the tent to unfold without supporting the weight will put undue pressure on hinges, baseboard and canvas potentially damaging the rooftop tent. Please see Additional Ladder Instructions.
5. Locate the window poles and fit each of these into the tent baseboard with the hook end facing outwards. Flex each pole and insert the hook ends into the grommets on the window awnings. After the window poles have been installed ensure the tent fabric is pulled snugly over each corner of the tent base.

Closing and Storage

Remove bedding from the tent before closing. Failure to do so could make it difficult to close the tent and cause damage. This damage is distinguishable and is not covered by warranty.

Down-filled pillows, sleeping bags, or blankets can be stored if they are moved towards the hinge end of the tent before closing the tent. Use good judgment. If the tent is difficult to close, remove any gear before closing the tent.

Internal bungee cords are included with your tent. These attach to the internal loops near the windows and assist in the amount of canvas that can billow out during pack down.

1. Remove the window spring rods.
2. Retract the telescoping hoop over the ladder and push it against the main body of the tent.
3. Use the ladder to lift and push the tent closed. Retract the ladder and secure with strap.
4. Go around the tent and tuck in any material that is hanging out. It is helpful to lift one internal hoop at a time and tuck in sections.
5. Fasten the side straps. Make sure to use the “over-under” method on the D-rings.
6. Install the transit cover and secure the transit cover straps using the reverse steps from the opening instructions.

Caution: Thoroughly dry the tent before storing to avoid water and mold damage.

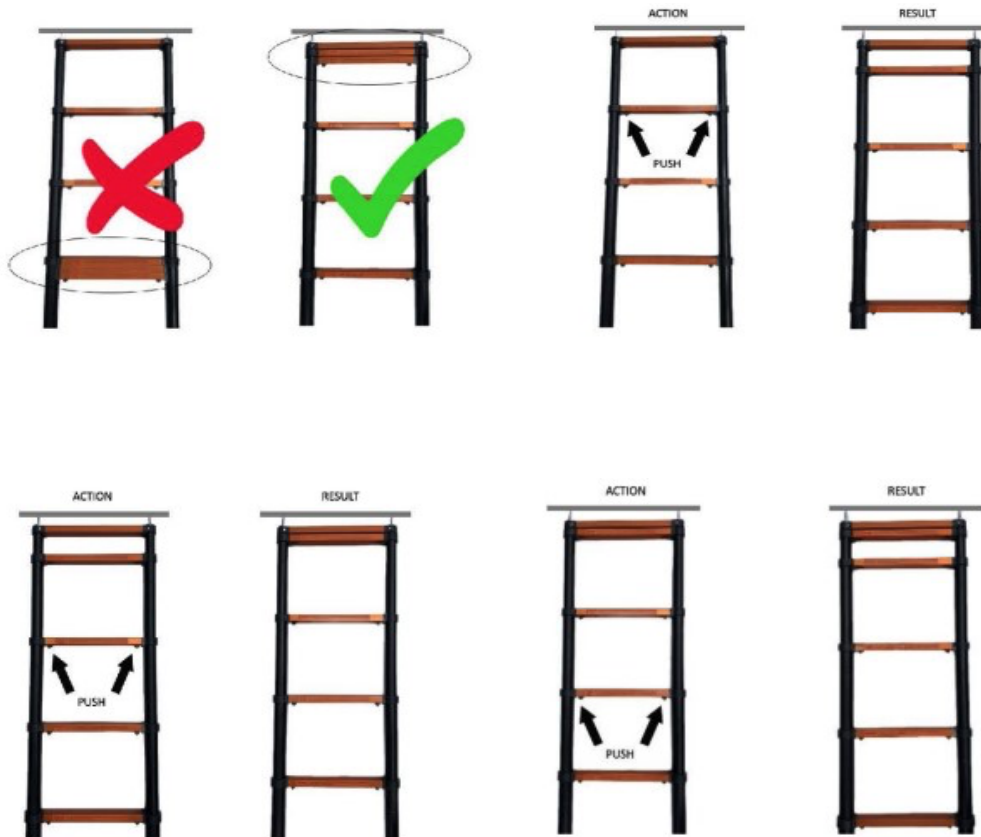
Additional Ladder Instructions

DO NOT CLIMB ON THE LADDER UNTIL THE CORRECT ANGLE IS ACHIEVED. Under no circumstances should anyone be inside the rooftop tent if the ladder is not secured at the correct angle. This can cause injury and severe damage to the tent.

Recommended ladder placement is a 4:1 ratio or approximately 75 degrees. The ladder height may need to be adjusted depending on the vehicle's height. The stock ladder is 7' 5". We also sell a 9' 5" ladder if needed.

Extend the ladder completely when deploying. Always adjust the height of the ladder from the top. To adjust, use the release buttons on the underside of the rungs and collapse from the top rung, moving down the ladder.

Note the ladder will only lock in the when under pressure. Bring the bottom of the ladder in until it supports the weight of the rooftop tent.



Care & Maintenance

You should perform regular inspections of your rooftop tent to prevent issues and prolong its life. Over time, nuts and bolts could work themselves loose and require some tightening.

It is important to keep up with zipper maintenance on your equipment. This will prolong the life of the zipper as well as help with ease of use. External zippers such as the ones on your rooftop tent will need to be cleaned and lubricated periodically to keep them functioning properly. You can use products such as GearAid Zipper Cleaner/Lubricant or use an old toothbrush with water. Once clean, you can rub some paraffin wax on them to keep them running smoothly.

We strive to have a large array of spare parts available for any necessary repairs or replacements. Please give us a call to check availability. We can assist in certain repair needs that arise depending on the availability.

If required, wash the tent with warm water and lightly scrub with a cloth to remove dirt and other debris. Do not use chemicals on the tent or rainfly. Allow tent to fully dry before storage.

If you wish to remove the tent from the vehicle, be sure to store in a dry space. The tents can be stored on their side if needed. Take caution when storing and make sure it is supported, protected and not at risk of falling over. You will need to open the tent from time to time and let it air out to prevent water or mold damage.