



RASK SHOWER TENT

USER MANUAL



Thank you for purchasing a 23ZERO RASK SHOWER TENT

Please read these instructions carefully before installing the awning to your vehicle. Check all parts are included prior to first use.



23ZERO recommends using a qualified or experienced fitter to mount the RASK shower tent to your vehicle. Fasteners and all fixing connections including hinges bolts should be checked and inspected regularly to ensure the awning is fixed securely to your vehicle roof rack at all times.

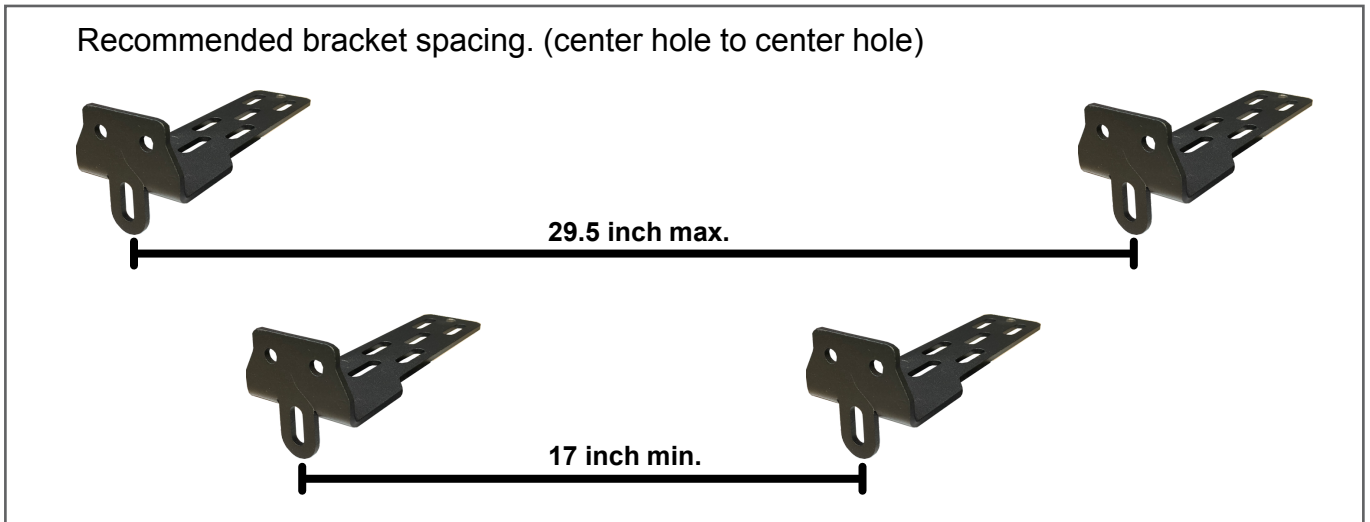
Note: We highly recommend discussing specific load capacities and mounting options with a specific roof rack retailer or installer.



Prolonged traveling on uneven tracks and/or corrugated roads will require more frequent inspections. 23ZERO takes no responsibility or liability for fitment of the RASK Shower Tent to your specific vehicle or trailer

Fitting brackets to roof bars / roof rack

RASK shower tent mounting brackets are suited to many roof rack designs, however, with the increasing number of new designs / models available from reputable brands, additional hardware may need to be obtained for correct secure fitment.



Securing brackets to cross bars or mesh based roof racks can be done utilising the supplied bolts M8 button head bolts and mounting plates - see Fig.1. Alternatively brackets can be mounted to platforms or channeled roof bars with the use of specific T-bolts (not supplied) - see Fig.2.

Fig.1

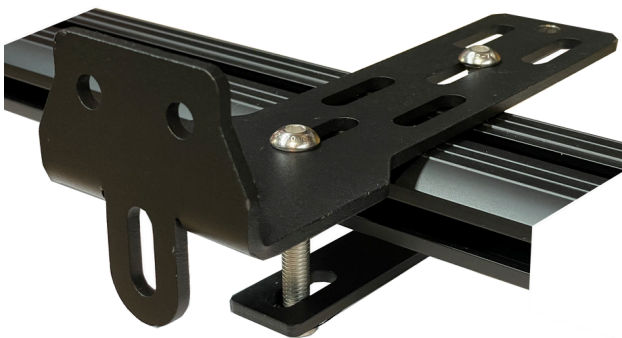
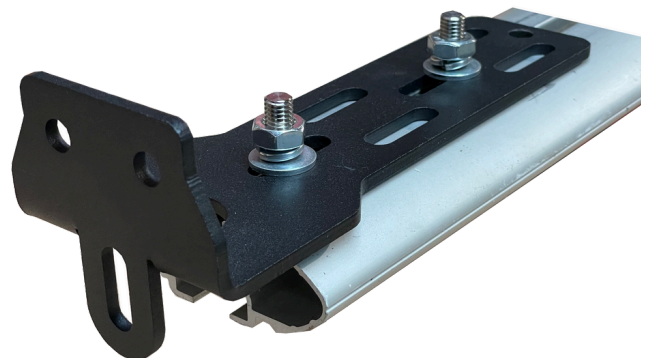


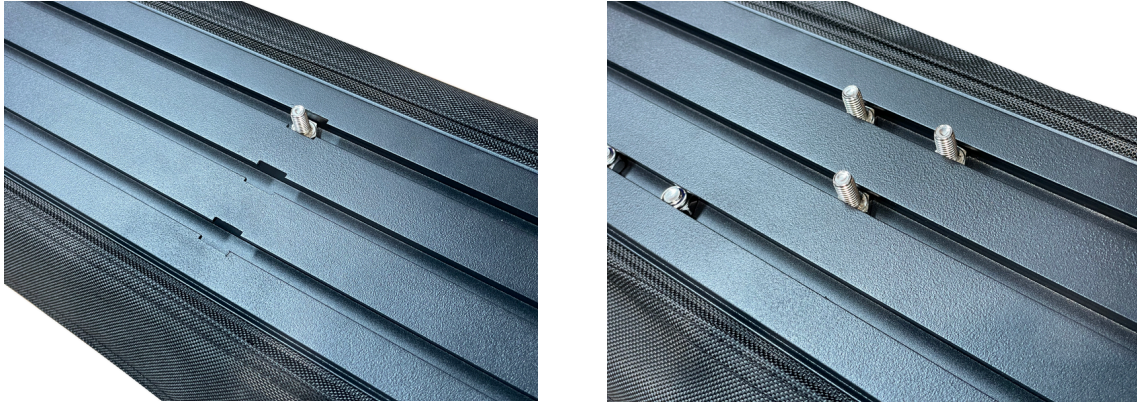
Fig.2



NOTE: If your set up requires T-Bolts to secure brackets, visit your local roof rack dealer for specific fasteners.

Fitting RASK Shower Tent to brackets

With rear of shower tent facing upward, insert 6 x M8 hex head bolts through the openings in the center of each channel. Position as required for the 2 x mounting brackets.

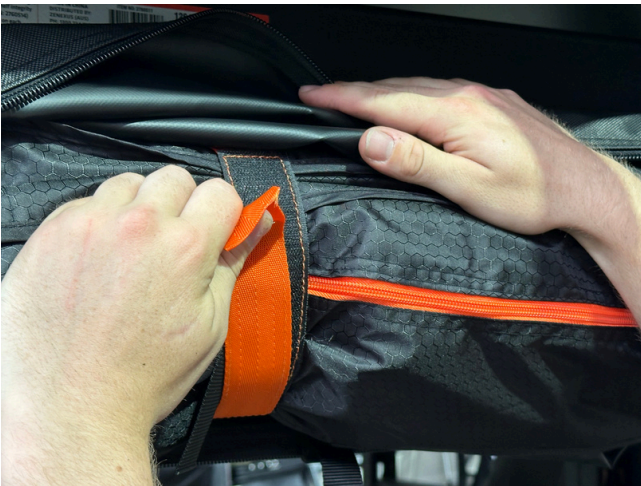


Fit shower tent to brackets ensuring all 6 bolts feed through bracket holes. Fit 6 x nyloc nuts and hand tighten. Adjust final position and tighten all with supplied spanner. Fitting complete.



Set up

Unzip transit cover and release the 2 outer retaining straps, allowing curtain to unroll and drape.



Gently pull the shower tent frame towards you. This will engage the internal gas struts and the RASK will self-deploy. The floor can be unclipped from the LHS panel and folded onto the ground if required. Peg all 4 corners out using supplied pegs.



Pack up

Remove all pegs, towels and empty internal pockets. Re-attach folding floor to the LHS panel using supplied clips.

To fold away the Rask, simultaneously pull the packdown strap towards you whilst pushing the Rask frame towards the baseplate. This will enable to self-deploying arms to fold away.



Push shower tent frame inwards



Pack Up

Ensure curtain is draping flat. Begin rolling curtain from the bottom up. Once fully rolled, lock curtain roll in place using the two velcro retaining straps.



Zip up transit cover. Ensure that zipper does not catch on material when zipping up. If having trouble closing, the curtain roll may not be tight enough. Pack up complete.



Care and Safety

CLEANING

Clean with lukewarm water and soft bristle brush. Do not use soaps and or detergents. Do not expose to petro chemicals.

STORAGE

Certain situations may require the RASK SHOWER TENT to be packed down wet. It is essential that at the earliest opportunity the awning is unpacked and allowed to dry fully. Though we use the best polyurethane proofing available, prolonged exposure to moisture causes hydrolysis which can affect the integrity of the proofing. Storing awning wet in warm conditions is likely to cause mildew growth which will stain and lead to premature breakdown.

STRUCTURAL

The RASK SHOWER TENT has been designed for general use under normal conditions. Designed as a free standing awning for the purpose of easy set up, it is strongly recommended that the RASK SHOWER TENT is firmly anchored at all times regardless how good conditions may be. Failure to anchor the awning could result in product failure or vehicle damage.

WATERPROOFNESS

23 ZERO use a selection of refined raw materials and treatments in its design and development processes including long lasting polyurethane coatings and high frequency seam sealing. With multiple layer seams and addition of zips, wind driven rain may cause small amounts of water ingress at times. Rubbing a softened candle wax stick over the affected area will help reduce any water ingress.



TO AVOID PERSONAL INJURY AND OR PROPERTY DAMAGE, 23ZERORECOMMENDS THE RAPID SHOWER TENT SHOULD NOT BE ERECTED DURING WINDY AND OR ADVERSE WEATHER. DAMAGE CAUSED BY WEATHER OR IMPROPER USE IS NOT COVERED UNDER WARRANTY.



SAFETY WARNINGS

KEEP ALL FLAME AND HEAT SOURCES AWAY FROM AWNING FABRIC.

UNDER NO CIRCUMSTANCES SHOULD ANY NAKED FLAME SOURCES BE USED NEAR THE AWNING.

KEEP CAMP FIRES AT LEAST 20 METERS AWAY FROM AWNING.

WATCH FOR AIRBORNE BURNING EMBERS THAT MAY COME IN CONTACT WITH THE AWNING

KEEP A FIRE EXTINGUISHER OR WATER BUCKET NEARBY

KEEP EXITS CLEAR

VEHICLE EXHAUST FUMES CAN BE DEADLY - DO NOT RUN VEHICLE ENGINE WHILST WALLS ARE ATTACHED TO THE AWNING.

WATCH FOR GUY ROPES AND PEGS AS THEY CAN BE A TRIP HAZARD

ENSURE CHILDREN ARE SUPERVISED AROUND THE AWNING AT ALL TIMES.



Warranty

23ZERO will replace or repair any product at its discretion that is subject to faulty manufacturing or workmanship including materials.

Making a claim

To make a claim in relation to the above manufacturers warranty please ensure you retain your sales receipt of purchase. Please contact us stating the nature of your claim and we will be in touch with you shortly. If you require additional assistance, please call 801-349-1099 to discuss and arrange your claim. Product subject to warranty will be sent to 23ZERO USA, 2195 S Presidents Dr. Ste B. West Valley City, UT 84120. All freight costs associated with return of product for assessment is payable by the customer.

Due to our policy of continual product development, the specifications, colors and feature may vary.

Please visit <https://23zero.com/returns/> to see full details.