

23**ZERO** 

KABARI Z

USER MANUAL



THANK YOU!

Congratulations on your purchase of a 23ZERO Rooftop Tent. We strive to provide you with the ultimate camping experience – the KABARI Z does just that.

Please carefully read this user manual. Follow all instructions and adhere to all safety and product care guidelines. Use of this product is only permitted to persons that have read and understood this user manual.

CONTENTS

SAFETY CONSIDERATIONS.....	2
HARDWARE & ACCESSORIES.....	4
ASSEMBLY.....	5
INSTALLATION TO ROOF RACK.....	6
LADDER ADJUSTMENT.....	8
OPENING & SETUP.....	10
CLOSING & PACKDOWN.....	16
EXTERIOR DIMENSIONS.....	17
MOUNTING RAIL DIMENSIONS.....	18
CARE & MAINTENANCE.....	19
WARRANTY.....	20

SAFETY CONSIDERATIONS

WARNING

- Keep all flame and heat sources away from the tent materials.
- Under no circumstance should any naked flame sources or heating devices be used inside or near the tent.
- Keep campfires well away from the tent.
- Keep a look out for any airborne embers that may come in contact with the tent.
- Have a fire extinguisher or water bucket nearby in case of fire.
- Do not smoke within the tent.
- Do not operate any device which burns fuel inside the tent.
- Keep exit clear.

WARNING

During set up and first use, some aluminum shavings may be present inside the roof top tent. We make every possible attempt to expel all aluminum shavings, however, with vibrations caused by logistics some residual shavings may dislodge and reappear. It is advised to remove and clean these during first set up.

WARNING

For your safety and protection, ensure correct placement and angle of ladder. Recommended ladder placement is a 4:1 ratio or approximately 75°
Ladder height may need to be adjusted depending on vehicle height, see “Ladder Adjustment”

DO NOT CLIMB ON LADDER UNTIL CORRECT ANGLE IS ACHIEVED

23ZERO - The wholesaler / manufacturer shall not be liable for special, indirect incidental or consequential damages.

WARNING

Please ensure all 12V electrical connections from your vehicle’s 12V system to the tent’s internal power system are correctly wired and fused. Incorrect wiring and/or lack of fuses may cause short-circuiting of the system and cause a fire. 23ZERO disclaims all responsibility for damage caused by incorrect wiring.

INSTALLATION & INSPECTIONS

Roof top tents have many moving parts, so regular maintenance checks are always advised. During trips regularly check that all nuts and bolts attaching the roof top tent to the vehicle as well as hinges and locks are tight and in good condition.

Alterations and / or inclusions such as roof racks and roof top tents applied to the vehicle roof may affect vehicle handling and characteristics. The manufacturer (23ZERO) disclaims all responsibility in case of accidents and / or damage due to installation of a roof top tent to an underrated roof rack, improper use, improper maintenance or checking the tightness of the brackets regarding the installation of the roof rack system.

IMPORTANT

Before installing your 23ZERO Roof Top Tent please ensure you understand the following

- **Your vehicle's maximum roof load rating.**
- **Your roof rack's maximum load rating including off-road capacity.**

The maximum amount of weight you can safely add to a vehicle's roof / cargo area differs according to make and type of vehicle including aftermarket additions such as roof racks / bars.

Note: Roof rack off-road limits are immensely different to normal road use load ratings. If in doubt, please contact your vehicle manufacturer and roof rack manufacturer / supplier for specified loading capacity of your vehicle and roof rack.

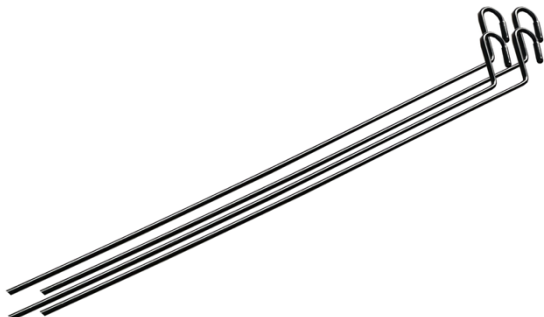
Not all factory roof racks or aftermarket roof bars can safely accommodate roof top tent models. The responsibility of fitting this roof top tent to rated roof racks or roof bars lies with the purchaser.

Improper installation or use of the Kabari Z may result in serious injury and/or property damage. Follow the installation instructions carefully to ensure proper installation to vehicle and safe use of the roof top tent.

HARDWARE & ACCESSORIES

The Kabari Z Rooftop Tent includes a mounting kit with everything required to mount the Rooftop Tent to most roof racks and platforms. See included accessories below:

4 x Fly Pole



1 x Handle



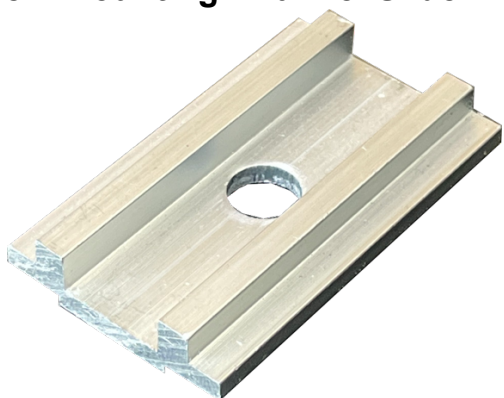
4 x Mounting Plate



8 x M8x65mm Bolt, Nut & Washer



8 x Mounting Channel Slide Plate



1 x LED Light Strip



1 x 2.3m Adjustable Wide-Step Ladder



4 x Mounting Rail End Cap



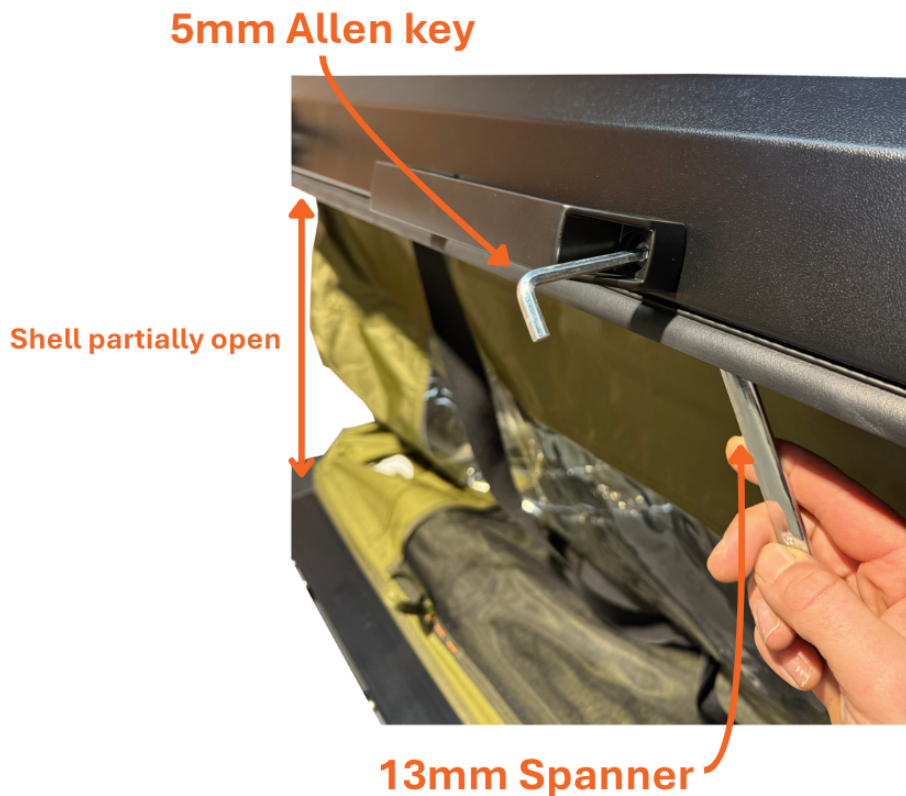
ASSEMBLY

Out of the box, the Kabari Z requires some of its components to be installed prior to mounting to your vehicle.

Handle – Insert 2 x M8 button-head bolts into supplied handle and then attach to the pre-drilled holes on the front of the Kabari Z shell. Place rubber washers in between handle and shell. Attach supplied washers and nyloc nuts by hand on inside of shell. Use supplied 5mm Allen key and 13mm spanner to tighten.



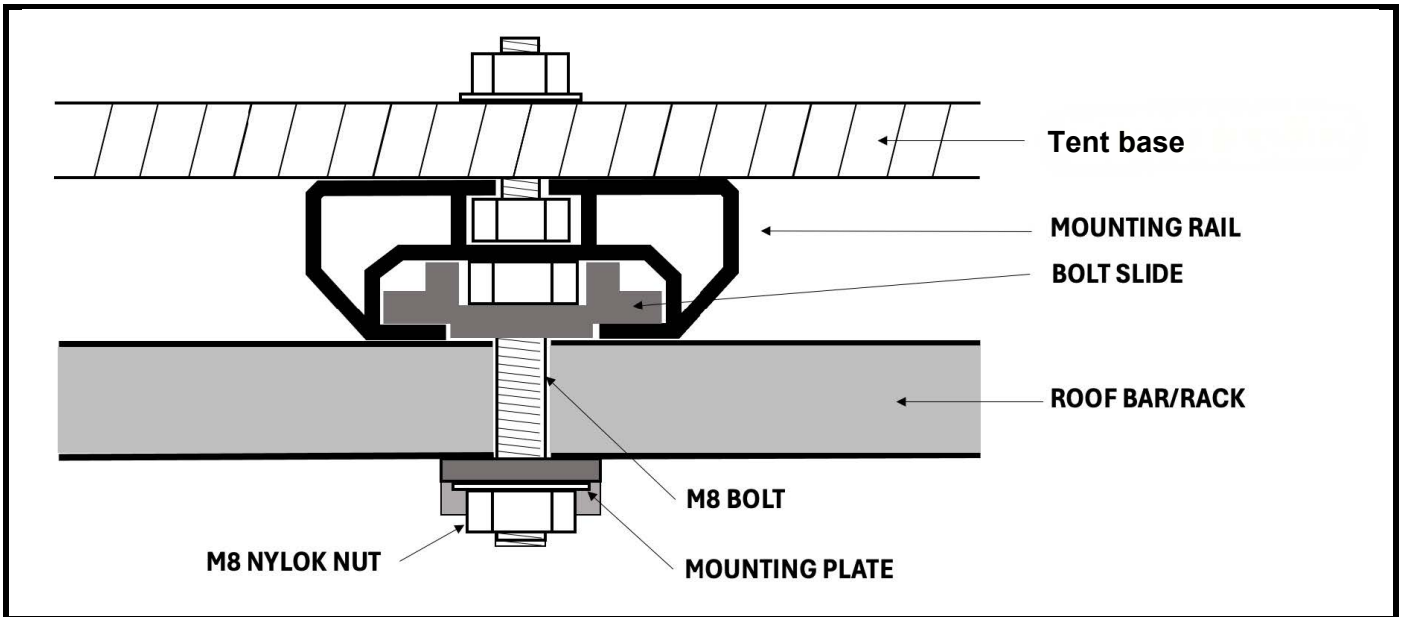
Tip: To better access the handle bolts, partially open the shell to take the tension out of the canvas. You can then reach behind the shell to thread the nuts and washers on. It helps to have an extra set of hands to do this!



INSTALLATION TO ROOF RACK

The Kabari Z can be installed to most roof bars or platform racks using the supplied mounting kit. Some platform racks have channels which are wider than the supplied mounting plate. 23ZERO has extended mounting plates available online for this scenario.

The Kabari Z has 2 pre-fitted mounting channels which have 1 bolt channel facing downward.



1. Lift the Kabari Z onto the vehicle's roof rack (minimum 4-person lift).

- Ensure all over-center latches are closed.

2. Position mounting bolts (M8 x 65mm hex-head) in mounting rails.

- Slide 4 65mm M8 T-Bolts into each bottom mounting rail using the provided slide plates.
- Position two bolts toward the front and two bolts toward the rear of the tent on each rail.
- Tilt the tent to allow the inner bolts to cross over onto the inside of the roof bars.

3. Inspect and adjust Kabari Z to desired position on roof rack.

- Ensure that tent will open and close correctly.
- Check that shell will open and close without contacting any other components on your roof rack.
- Ensure there is no excessive flex or movement in your vehicle's roof rack.

4. Attach all 4 supplied mounting plates to the mounting bolts using supplied washers and nyloc nuts.

- Thread the nuts on by hand and then use a 13mm spanner to tighten all 8 nyloc nuts.
- Ensure the bolts are straight when tightening to prevent galling.
- Do not use a rattle-gun or electric ratchet as these can cause cross-threading.
- Do not over-tighten. Stop tightening once the mounting plates begin to bend upwards towards the tent.

5. Insert supplied end caps into the mounting rails.

- Use a soft blow hammer if necessary.

6. Final inspection.

- Ensure all 8 nyloc nuts are tight and there is no movement of the Kabari Z on the vehicle's roof rack.
- Check all factory-fitted mounting rail nuts underneath the mattress are fastened and in good repair. Lift the mattress to gain access to these.

IMPORTANT

Regularly check that all nuts and bolts attaching the roof top tent to the vehicle as well as hinges and latches are tight and in good condition.

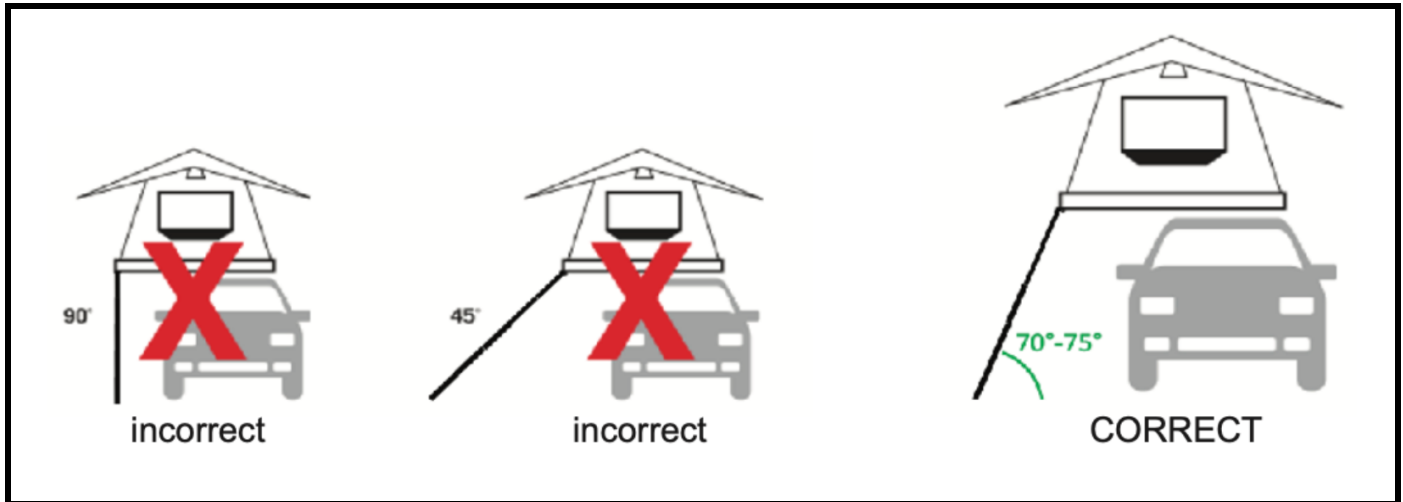
Regularly check your roof rack is securely mounted to your vehicle and that there are no signs of wear or damage.

By following these steps, you are ensuring that your Kabari Z Rooftop Tent is securely mounted and safe to use.

LADDER ADJUSTMENT

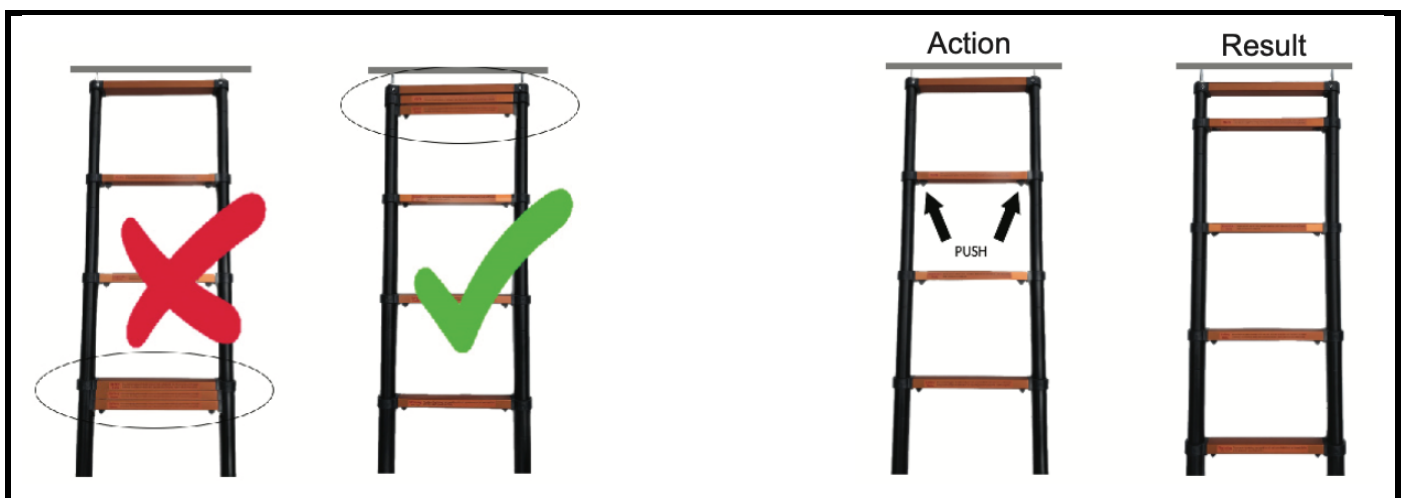
For your safety and protection, ensure correct placement and angle of ladder. See diagrams below. Recommended ladder placement is a 4:1 ratio or approximately 70° to 75°

NOTE: Under no circumstances should anyone be inside the roof top tent if the ladder is not locked and secured at correct angle.

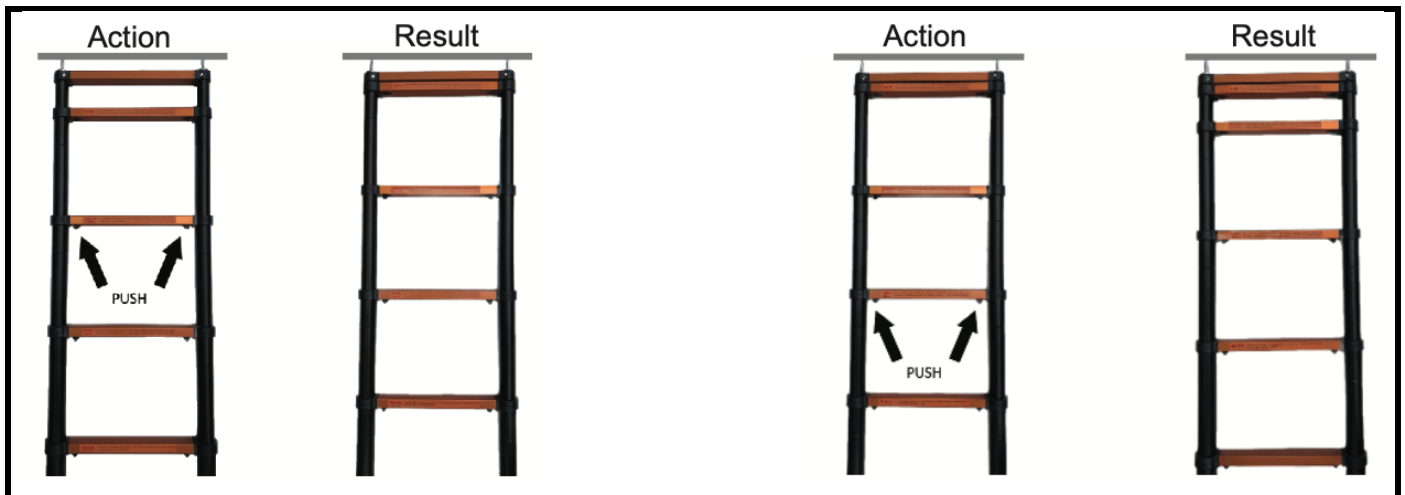


The ladder may need to be adjusted to achieve the correct angle depending on the height of your vehicle.

- If shortening is required, the adjustment must be done from the top rungs (second rung from the top) and allow the ladder to compress until a gap of approximately 85mm is achieved between rung 1 & 2.
- Note: The ladder will only lock in the downward position.
- Swing in the bottom of the ladder until it supports the weight of the roof top tent. If the angle of the ladder is between 70° and 75°, the adjustment is complete:



If further shortening is required, press the second set of locking buttons (third rung from the top). This will close the 85mm gap until rung 1 & 2 are touching. Swing in the bottom of the ladder until it supports the weight of the roof top tent. If the angle of the ladder is between 70° and 75°, this adjustment is complete:



NOTE: When height adjusted, the ladder will only lock in the downward position.

If further adjustment is required, repeat the above steps by continuing the sequence depressing the next set of locking buttons.

OPENING AND SETUP

1. Release locking mechanism.

- Locate and release all 8 over-center latches (2 on each



2. Raise shell.

- Using the top handle on the front of tent, lift the shell upwards.
- Once the gas struts take over, the shell will open under its own

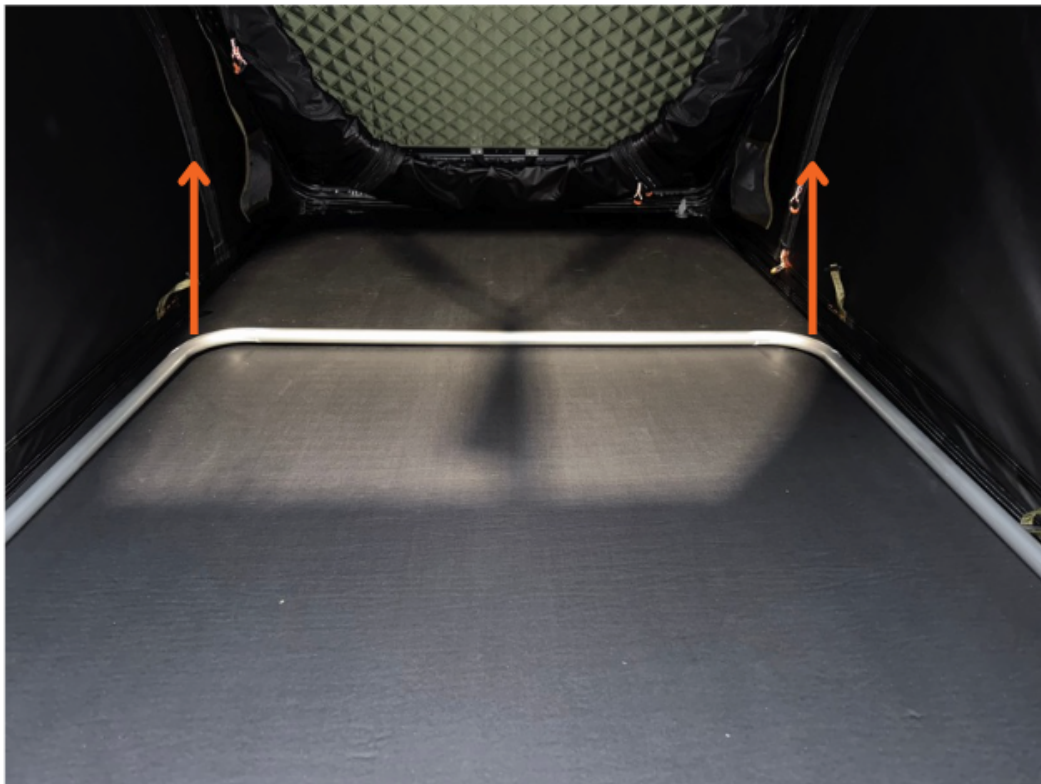


3. Pull down elastic shock cord.

- Locate the external elastic shock cord and pull downwards and out of the way.



4. Climb inside tent to raise internal hoop and insert outer fly poles.



- Locate the 2 spreader bars attached to the ceiling. Detach Velcro and extend both bars until they push the internal hoop into the canvas.



- Lock the spreader bars in position using the trigger locks.

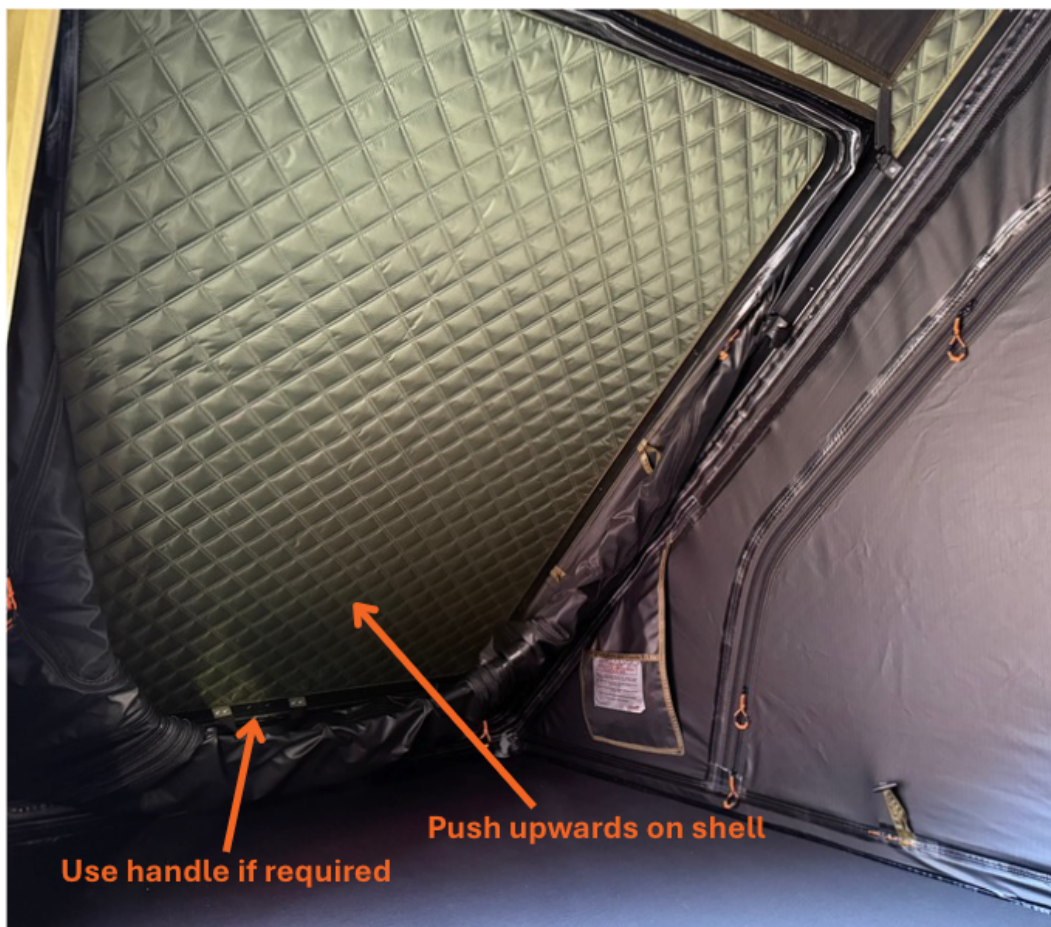


- Insert all 4 fly poles into the fly pole bracket first and then bend upwards until the hook end reaches the eyelet on the outer fly.



5. Open top hatch.

- Inside the tent, push on the ceiling of the top hatch until the external gas struts take over.



- Lower the external bungee cord. This can be done from either inside or outside the tent.



6. Initial setup complete.

- Adjust internal windows to suit the climate you are in.
- Plug in LED light to 12V power system located at rear of tent.



WARNING

Please ensure all 12V electrical connections from your vehicle's 12V system to the tent's internal power system are correctly wired and fused. Incorrect wiring and/or lack of fuses may cause short-circuiting of the system and cause a fire. 23ZERO disclaims all responsibility for damage caused by incorrect wiring.



CLOSING & PACKDOWN

1. Ensure all 12V accessories are switched off and unplugged from 12V power system. Ensure both air valves on the self-inflating mattress are fully open, so that air can escape when the tent is closed and the mattress is compressed.

2. Close top hatch.

- Raise external bungee cord to assist with canvas tucking in. Pull the top hatch down from inside the tent using the supplied handle.

3. Remove all 4 external fly poles.

- Store inside supplied protective sleeve. These can be left on top of the mattress.

4. Lower internal canopy hoop.

- Detach the 2 spreader bars from the internal hoop and Velcro to the ceiling.
- Lower the internal hoop onto the mattress.

5. Whilst standing on ladder, raise external bungee cord.

- Position the bungee cord approximately halfway up the canvas to assist with canvas tucking in.

6. Close shell.

- Use the supplied packdown strap to gently pull the shell downwards until you can reach the top handle. Additional canvas tucking may be required as the shell lowers and air is expelled.

TIP: It is significantly easier to close the tent when the windows are open at least 50% - this allows the air to expel quickly.

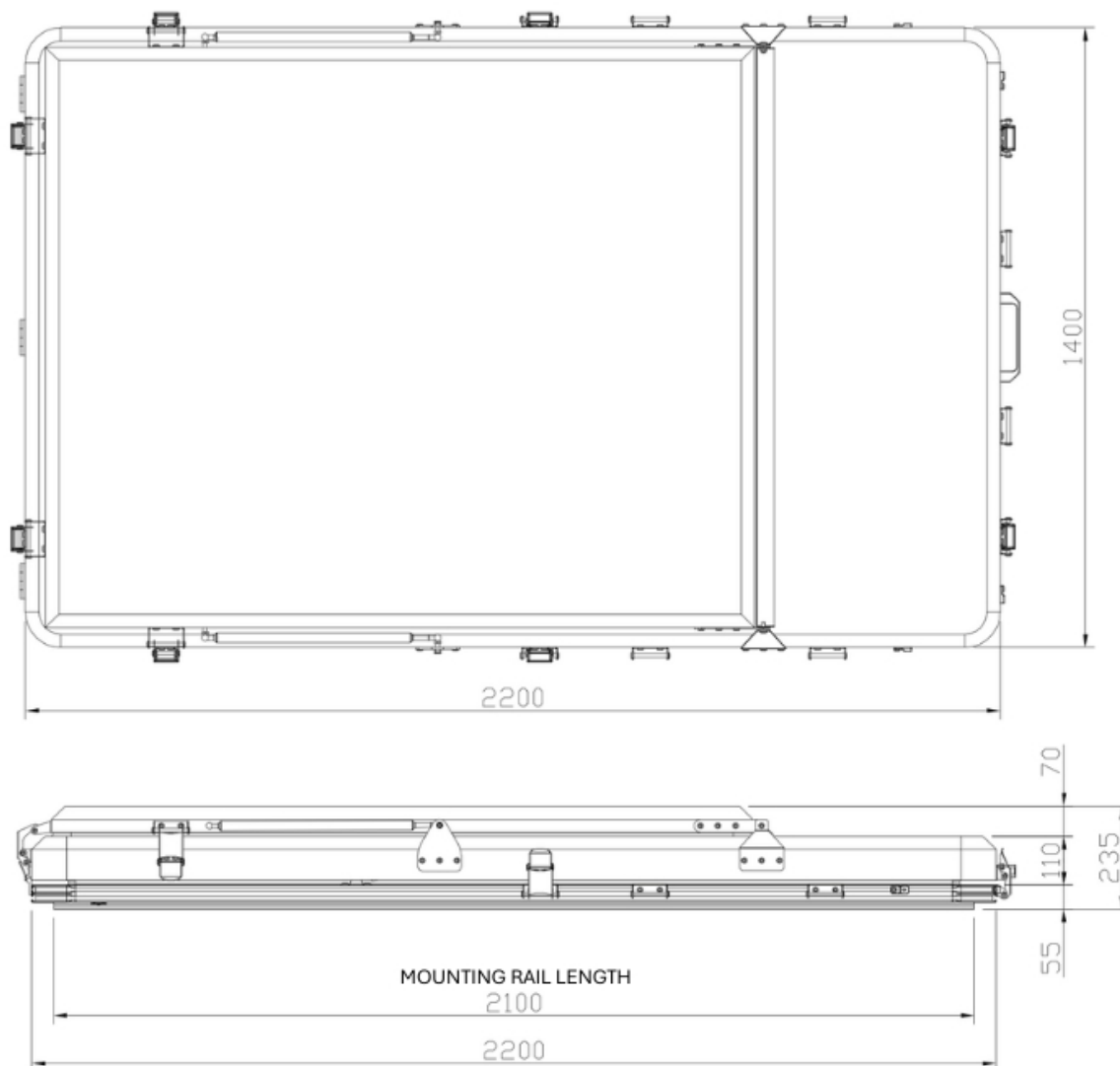
7. Close all 8 external latches (2 on each side)

- Ensure there is no canvas protruding through the rubber seal as this may allow water/dust ingress.

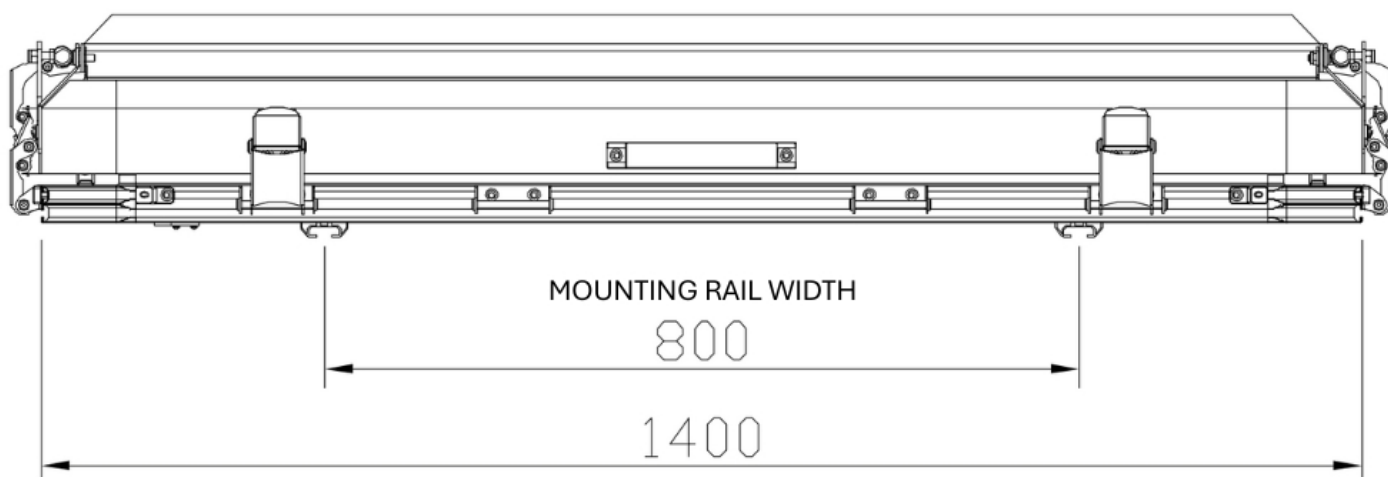
8. Packdown complete.

- Do a final walkaround of the tent before moving your vehicle.

EXTERIOR DIMENSIONS



MOUNTING RAIL DIMENSIONS



Note: Measurements shown for the underside mounting extrusions may vary slightly due to manufacturing tolerances. It is highly recommended that any final modifications to your setup be made after receiving delivery of your RTT.

CARE & MAINTENANCE

At 23ZERO, we take pride in the quality and durability of our products. Below are some guidelines which must be followed to prolong the life of your product. Regular care and maintenance of this product is your responsibility.

CLEANING

Clean with lukewarm water and soft bristle brush.
Do not use soaps and or detergents.
Do not expose to petro-chemicals.

STORAGE

Certain situations may require the Kabari Z to be packed down wet. It is essential that at the earliest opportunity the Kabari Z is re-opened and allowed to dry fully. Though we use the best polyurethane proofing available, prolonged exposure to moisture causes hydrolysis which can affect the integrity of the proofing. Storing the Kabari Z wet in warm conditions is likely to cause mildew growth which will stain canvas and lead to premature breakdown.

WATERPROOFNESS

23ZERO uses a selection of refined raw materials and treatments in its design and development processes including long lasting polyurethane coatings and high frequency seam sealing. With multiple layer seams and addition of zips wind driven rain may cause small amounts of water ingress at times. Rubbing a softened candle wax stick over the affected area will help reduce any water ingress.

HYDROLYSIS

Hydrolysis is the chemical breakdown of polyurethane (PU) caused by its gradual absorption of moisture or water over time, a process more prevalent in humid or tropical environments due to higher moisture levels. This reaction is a natural characteristic of PU and is not considered a manufacturing fault of 23ZERO products. To reduce the risk of hydrolysis, it is crucial to use the tent regularly, provide proper care, and conduct routine inspections. During long-term storage or stowing, ensure all additional bedding, such as sleeping bags, blankets, and pillows, are removed to avoid compressing the canvas for extended periods. The tent canvas should be checked regularly and exposed to direct sunlight periodically to help maintain its integrity. These practices will significantly extend the lifespan and performance of your tent.



Warranty

23ZERO will replace or repair any product at its discretion that is subject to faulty manufacturing or workmanship including materials.

Exclusions

The above warranty is limited to manufacturing and material defects. The warranty does not cover ordinary wear and tear, damage caused by improper use, storm damage, improper cleaning, accidents, lack of general or improper maintenance, driving under car parks, hitting products against hard surfaces, damage caused by car washes, fires, sparks, abuse, alterations, animal attacks, acts of God, UV exposure, or zipper wear. This also excludes broken poles and damage caused by a jammed, snagged zipper or excessive force applied to zipper causing failure. Using 23Zero products for full-time, commercial, or rental situations voids all warranties. 23Zero reserves the right to determine quality standards under this warranty policy.

Due to our policy of continual product development, the specifications, colors and feature may vary.

Please visit <https://23zero.com/returns/> to see full details.

Making a claim

To make a claim in relation to the above manufacturers warranty please ensure you retain your sales receipt of purchase. Please contact us stating the nature of your claim and we will be in touch with you shortly. If you require additional assistance, please call 801-349-1099 to discuss and arrange your claim. Product subject to warranty will be sent to 23ZERO USA, 2195 South Presidents Dr. Ste B. West Valley City, UT 84120. All freight costs associated with return of product for assessment is payable by the customer.

